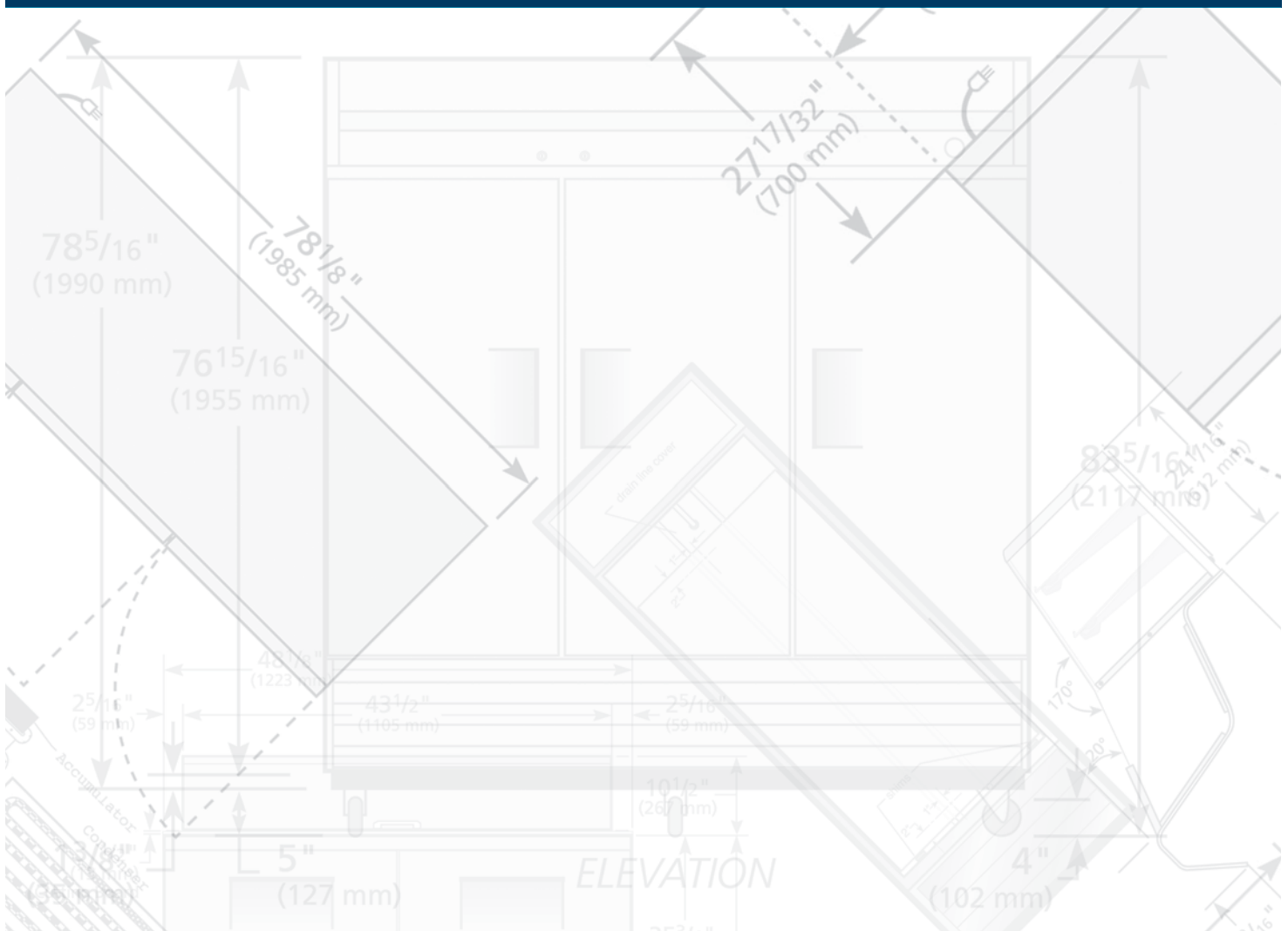


DOORS/DRAWERS/LIDS



NOTES

DOORS/DRAWERS/LIDS



Swing Doors

NOTES

INSTALLATION OF A GDM-SWING DOOR

INSTALLATION INSTRUCTIONS

Tools Required

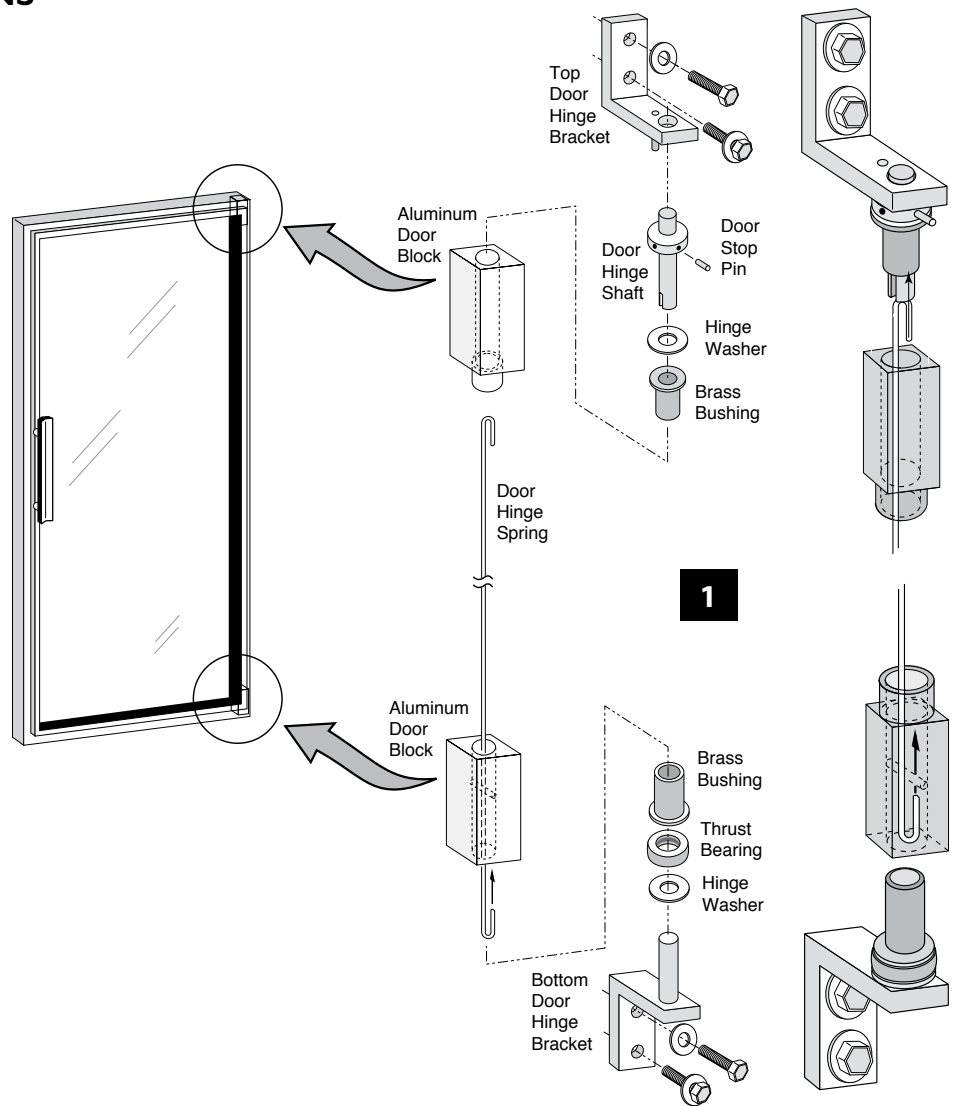
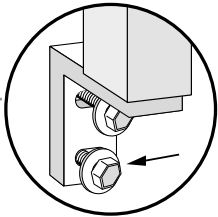
- Phillips Head Screwdriver
- (2) - 1/8" Drift Punches (forged)

NOTE:

It may be necessary to verify stop pin location and door block material for some models. Or call 800-325-6152 for assistance.

TO ADJUST DOOR HINGE

Loosen bolts from bottom hinge assembly and lightly tap the hinge bracket with a plastic or rubber hammer. When door hangs true, tighten bolts.



STEP 1 - Beginning with the top hinge assembly of the replacement door place the hinge washer over the hinge shaft and slide into top door block. (Illustration 1).

NOTE: The slot at the base of the hinge shaft must seat over the head of the door hinge spring.

STEP 2 - Insert the bottom hinge assembly (hinge bracket, hinge washer, thrust bearing) into the door block and brass bushing inside bottom frame. (Illustration 1).

STEP 3 - While holding bottom hinge in place lift door and slide top door hinge together. Maintain vertical pressure by resting door bottom on your knee while squatting, or have someone assist in order to re-attach lower hinge to cabinet. Fasten hinge with 3/8" bolts and washers.

STEP 4 - For models with integrated door lighting. Be sure and plug into ballast box.

STEP 5 - For right hinged doors adjust the spring by rotating the door hinge shaft to the left using two drift punches hole by hole to the desired tension (approximately one-half turn). Replace the stop pin in the door hinge shaft (opposite procedure for left hinged doors).

NOTE: If cabinet is equipped with integrated door light, be sure to plug into ballast box.

NOTE: Freezer doors have heater wires which must be plugged in before operation.

REMOVAL OF GDM DOORS

INSTALLATION INSTRUCTIONS

Tools Required

- (2) - 1/8" Drift Punches (forged)
- Needle - Nose Pliers
- Phillips Head Screwdriver
- Slotted Screwdriver

STEP 1 - Turn the cooler off.

STEP 2 - Remove the four mounting screws from louvered grill and remove grill.

STEP 3 - For models with the integrated door light feature, unplug light from ballast box.

IMPORTANT: Freezer doors have heater wires which must be unplugged before doors can be removed.

STEP 4 - Locate the top hinge assembly.

STEP 5 - Remove door stop pin by placing a drift punch or drill bit into the stop pin hole two holes to the left (for right hinged door) of the stop pin position. With drill bit firmly anchored in position, apply back pressure to the left and remove the stop pin with a needle-nosed pliers. While firmly holding the drill bit with your left hand begin rotating the hinge shaft to the right relieving spring tension. Insert second drift punch into hole to the left and repeat process until all spring tension is relieved. The opposite would be followed for a left hand hinged door.

STEP 6 - In some instances it is necessary to relieve spring pressure one hole position at a time until spring pressure is relieved.

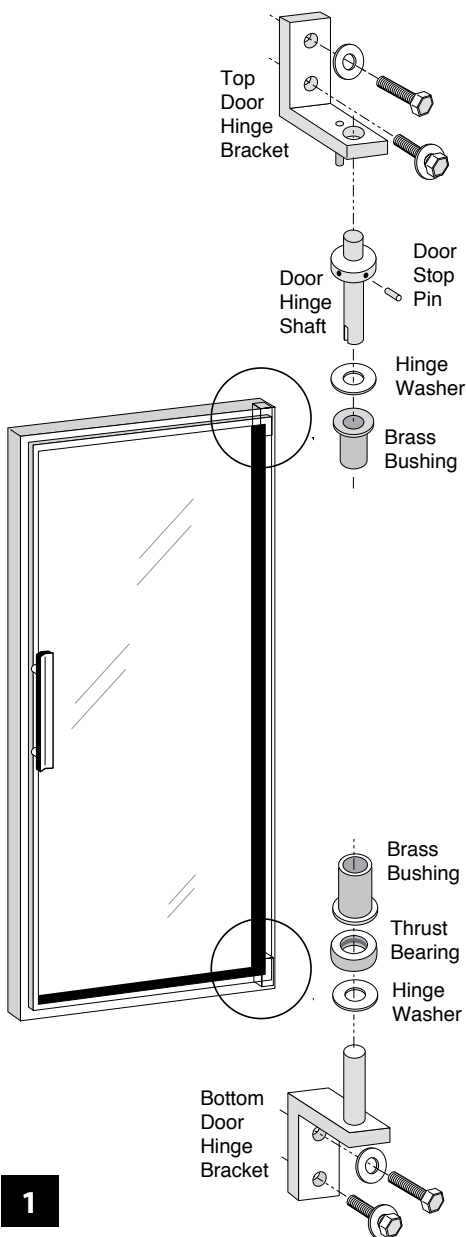
NOTE: Operation is reversed for left side door.

NOTE: If cabinet is equipped with integrated door light be sure to unplug from ballast box.

STEP 7 - In a squatted position, rest the bottom of the open door on your left knee (for right side door) as you face the outside of the door. Create an upward pressure and remove the two 3/8" bolts from the bottom hinge assembly. Remove the bottom hinge assembly. (Illustration 2)

STEP 8 - Remove the door and carefully place door on a flat surface with the door handle on the bottom. The door should be in a rectangular position.

NOTE: Operation is reversed for left hinged door.



1



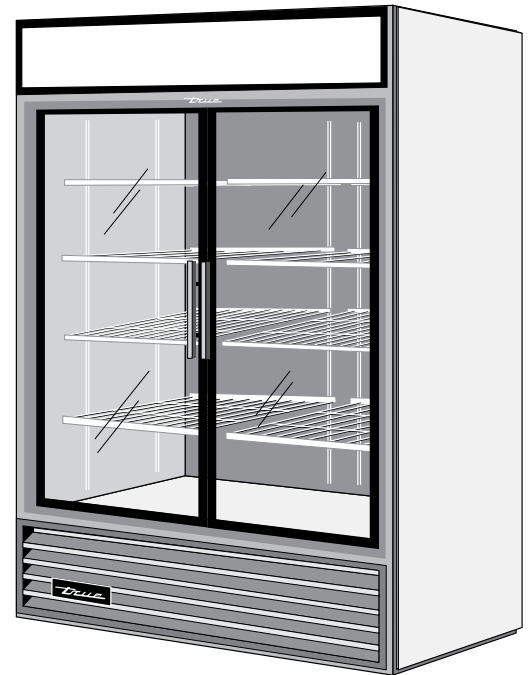
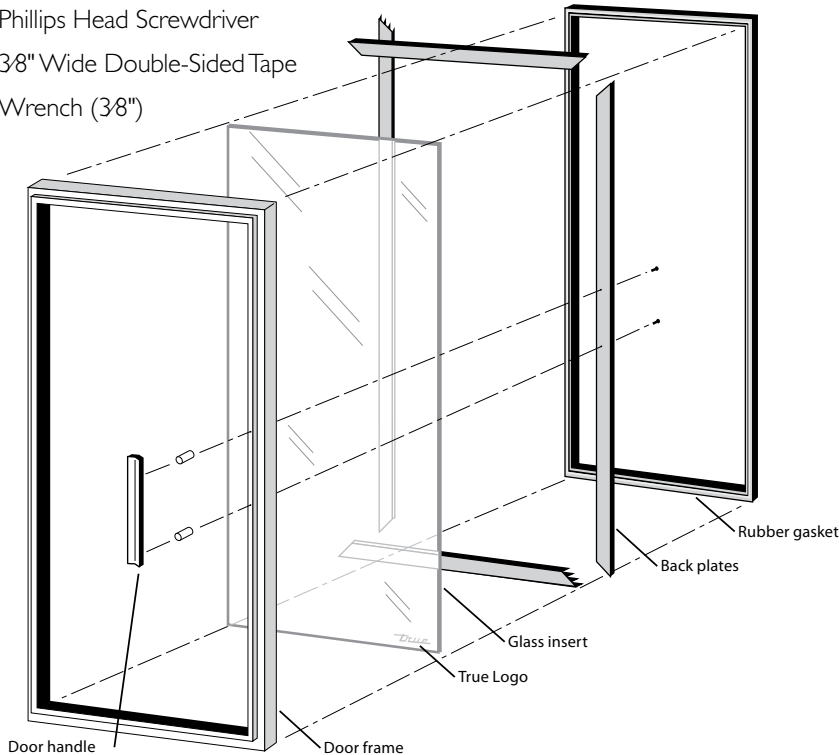
2

GLASS INSERT - SWING DOOR

INSTALLATION INSTRUCTIONS

Tools Required

- Phillips Head Screwdriver
- 3/8" Wide Double-Sided Tape
- Wrench (3/8")



GDM-49

STEP 1 - Turn the cooler off.

STEP 2 - Remove the rubber gasket from the perimeter of the interior side of the door.

IT IS NOT NECESSARY TO REMOVE THE DOOR FROM THE CABINET

STEP 3 - Remove the door handle (two screws).

STEP 4 - Remove the screws that secure the four back plate pieces to the door. Remove all four back plates.

STEP 5 - Beginning at a corner carefully pry the broken glass loose from the frame. If necessary use heat gun or hair dryer aimed in the space between glass insert and door frame to lessen resistance of double-sided tape. Carefully dispose of the damaged glass.

STEP 6 - Remove any excess tape or glass from the lip on the door frame. Replace with new double-sided tape on the 1/2" lip.

STEP 7 - To support glass insert use one-sided tape to secure two plastic shims (3/32" x 7/8" x 2-1/2") on opposite ends of bottom door frame a few inches from the corners.

STEP 8 - Remembering to keep the tempered glass to the handle side of the frame place the new glass insert inside the frame and press against the two-way tape. (The etched TRUE logo is positioned on bottom corner of the tempered glass side.)

STEP 9 - Square up door by adding shims between glass insert and the handle side of the door frame.

Place double sided tape on all edges of glass insert to create a seal with the back plate.

STEP 10 - Replace bottom back plate then top and side plates. Tighten all screws.

STEP 11 - Replace the handle.

STEP 12 - Snap the gasket back into the back plate.

WARNING: The edges on the glass insert are very sharp. To avoid personal injury, use adequate protection for your eyes and hands when working or handling this or any other glass component.

GDM COOLER IDL GLASS INSERT REPLACEMENT

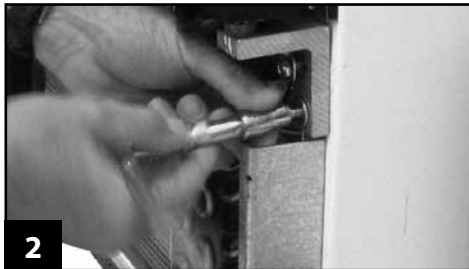
INSTALLATION INSTRUCTIONS

Tools Required

- Phillips head screwdriver
- 3/8" Wide double sided tape
- Side cutters (if working with freezers)
- Butt connectors (if working with freezers)
- Crimping tool (if working with freezers)

WARNING:

The edges on the glass insert are very sharp. To avoid personal injury, use adequate protection for your eyes and hands when working or handling this or any other glass component.



NOTE: The door does not need to be removed on some models.

STEP 1 - Disconnect power to the cabinet.

STEP 2 - Disconnect IDL plug from cooler.

STEP 3 - Loosen up the tension from torsion spring and remove door. Refer to Removal and Installation of GDM Swing Door Instructions. (See images 1-2).

STEP 4 - Remove door handle and place door on a flat surface.

STEP 5 - Remove door gasket and back plates from the top, bottom and handle side. (See images 3-4).

STEP 6 - Beginning at the upper corner in the handle side, carefully pry the broken glass loose. If necessary, use a heat gun or hair dryer to loosen up the insert from double sided tape. (See image 5).



(Releasing door tension)

NOTE: Do not forget to disconnect the glass insert heater wires before pulling it out and reconnect them before sliding the new glass insert in.

STEP 7 - Remove any excess tape and glass from the lip on the door's frame and replace with new double sided tape.

NOTE: Make sure the TRUE logo on the insert, is located outside at the bottom of the frame. (See image 6).

STEP 8 - Install the new glass insert by pushing it into the light channel first and then work out-wards toward the handle side.

STEP 9 - Install gasket back plates and gasket.

STEP 10 - Mount door and tighten torsion spring. Refer to Removal and Installation of GDM Swing Door Instructions.

GDM FREEZER IDL GLASS INSERT REPLACEMENT

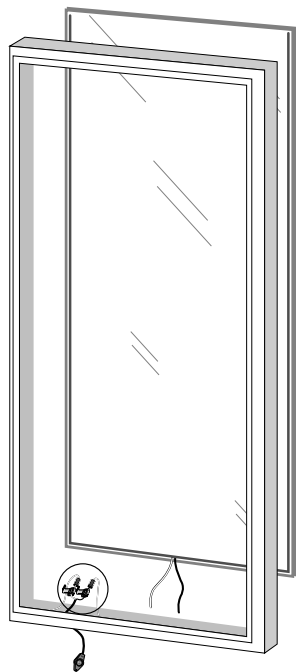
INSTALLATION INSTRUCTIONS

Tools Required

- Phillips head screwdriver
- 3/8" Wide double sided tape
- Side cutters (if working with freezers)
- Butt connectors (if working with freezers)
- Crimping tool (if working with freezers)

WARNING:

The edges on the glass insert are very sharp. To avoid personal injury, use adequate protection for your eyes and hands when working or handling this or any other glass component.



STEP 1 - Disconnect power to the cabinet.OT

STEP 2 - Disconnect IDLE:

STEP 3 - Loosen up the tension from torsion spring and remove door: Refer to Removal and Installation of GDM Door instruction page.

STEP 4 - Remove doors handle and place door on flat surface.

STEP 5 - Remove door gasket and backing plates from the top, bottom and handle side.

Freezer doors have heater wires running through the door frame and around the rear side of the glass insert which junction at the lower inside corner and plug into the compressor area. The glass insert must be carefully pried loose starting from the top corner and working down to gently free the glass insert without damaging the heating element. If necessary use heat gun or hair dryer aimed in the space between glass insert and door frame to lessen resistance of double-sided tape. It is recommended that one person support the damaged glass insert while the other releases the wires from the two self stripping connectors.

STEP 6 - Beginning at the upper corner in the handle side, carefully pry the broken glass loose. If necessary, use a heat gun or hair dryer to loosen up the insert from double sided tape.

NOTE: Do not forget to disconnect the glass insert heater wires before pulling it out and reconnect them before sliding the new glass insert in.

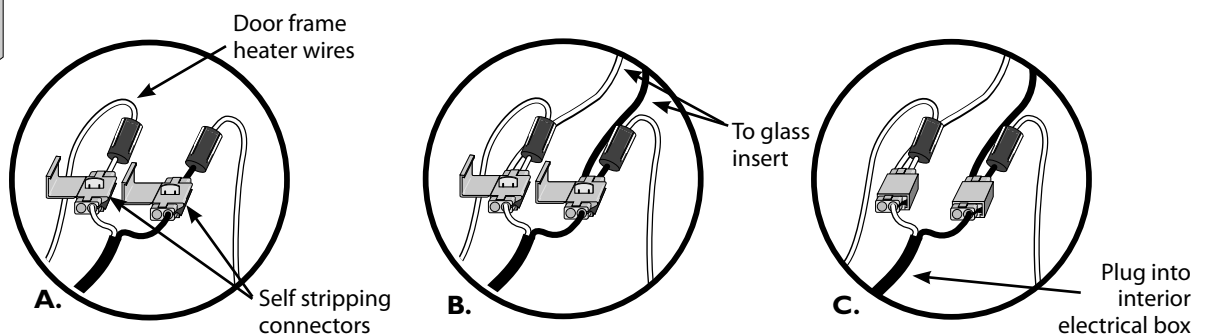
STEP 7 - Remove any excess tape and glass from the lip on the door's frame and replace with new double sided tape.

NOTE: Make sure the TRUE logo on the insert, is located outside at the bottom of the frame.

STEP 8 - Install the new glass insert by pushing it into the light channel first and then work out-wards toward the handle side.

STEP 9 - Install gasket back plates and gasket.

STEP 10 - Mount door and tighten torsion spring. Refer to Removal and Installation of GDM Door Instructions.



SHIMMING THE GLASS INSERT ON A GDM SERIES CABINET

INSTALLATION INSTRUCTIONS

Under normal circumstances your True Merchandiser won't require any type of adjustments, except for the ones already outlined in your installation instructions. When installed properly you will have a perfectly aligned piece of equipment. There will be however some occasions in which it will be necessary to go a little deeper in order to accomplish a perfect alignment. One of the most common problems at installation is the door(s) sagging or unaligned, to correct this condition here are the recommended procedures:

1. Make sure that there is no damage to the door(s) or the cabinet.
2. Try to level the door(s), by adjusting the leveling legs. Perform this procedure by adding castor shims if the unit is on castors.
3. Try to align the door(s) by adjusting the bottom hinge left or right on the swing type door(s).

Usually by performing these procedures the alignment of the door(s) is accomplished. If after performing these procedures the problem persists, it is recommended to adjust the glass insert to square door by shimming it. To shim the glass insert the recommended procedures are as follows:



WARNING:

SAFETY GLASSES SHOULD BE USED WHEN HANDLING OR WORKING WITH THIS OR ANY OTHER GLASS.

1. Remove the gasket from the gasket base.
2. Remove the screws holding the gasket base around the door and remove the gasket base.
3. With a putty knife loosen up the glass insert around the door frame. It might be necessary to use a heat gun.
4. With a two by four or a similar device, proceed to lift the door frame by prying from the bottom outer corner. See Images 1 and 2.
5. Shim the glass insert wherever there is a space between the frame and the insert. See Images 3 and 4.
6. Press the insert against the door frame and re-install the gasket base and the gasket.

T-SERIES IDL GLASS INSERT REPLACEMENT

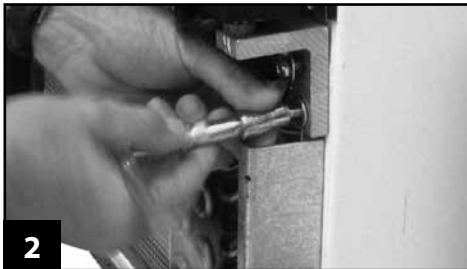
INSTALLATION INSTRUCTIONS

Tools Required

- Phillips head screwdriver
- 3/8" Wide double sided tape
- Side cutters (if working with freezers)
- Butt connectors (if working with freezers)
- Crimping tool (if working with freezers)

WARNING:

The edges on the glass insert are very sharp. To avoid personal injury, use adequate protection for your eyes and hands when working or handling this or any other glass component.



STEP 1 - Disconnect power to the cabinet.

STEP 2 - Disconnect IDL plug from cooler.

STEP 3 - Loosen up the tension from torsion spring and remove door. Refer to Removal and Installation of GDM Swing Door Instructions. (See images 1-2).

STEP 4 - Remove door handle and place door on a flat surface.

STEP 5 - Remove door gasket and back plates from the top, bottom and handle side. (See images 3-4).

STEP 6 - Beginning at the upper corner in the handle side, carefully pry the broken glass loose. If necessary, use a heat gun or hair dryer to loosen up the insert from double sided tape. (See image 5).



1
(Releasing door tension)

NOTE: Do not forget to disconnect the glass insert heater wires before pulling it out and reconnect them before sliding the new glass insert in.

STEP 7 - Remove any excess tape and glass from the lip on the door's frame and replace with new double sided tape.

NOTE: Make sure the TRUE logo on the insert, is located outside at the bottom of the frame. (See image 6).

STEP 8 - Install the new glass insert by pushing it into the light channel first and then work out-wards toward the handle side.

STEP 9 - Install gasket back plates and gasket.

STEP 10 - Mount door and tighten torsion spring. Refer to Removal and Installation of GDM Swing Door Instructions.



T-DOOR BLOCK REPAIR

RETROFIT INSTRUCTIONS

Tools Required

- Measuring tape
- #6 Phillips screw 3/4" long
- Drill
- Phillips Head Screwdriver
- 3/32" drill bit

The following steps can be done with the door on or off of the unit.

STEP 1 - Go to the bottom of the door on the hinge side and pull the gasket out of the corner of the door exposing a deep groove that the gasket fits into. See image 1.



STEP 2 - Measure up 1 5/8" from the bottom of the door and use a 3/32" drill bit and drill straight down into the gasket groove 3/4". See image 2.



STEP 3 - Take a Phillips 3/4" long screw run this into the pre drilled hole till it is flush with plastic so it will not interfere with the gasket. See images 3 and 4.



STEP 4 - Replace the gasket back into the groove.



INSTALLATION OF A T-SERIES DOOR

INSTALLATION INSTRUCTIONS

Tools Required

- (2) - 1/8" Drift Punches (forged)
- Phillips Head Screwdriver

NOTE:

It may be necessary to verify stop pin location and door block material for some models. Or call 800-325-6152 for assistance.

STEP 1 - Beginning with the top hinge assembly of the replacement door place the hinge washer over the hinge shaft and slide into top door block. (Illustration 1).

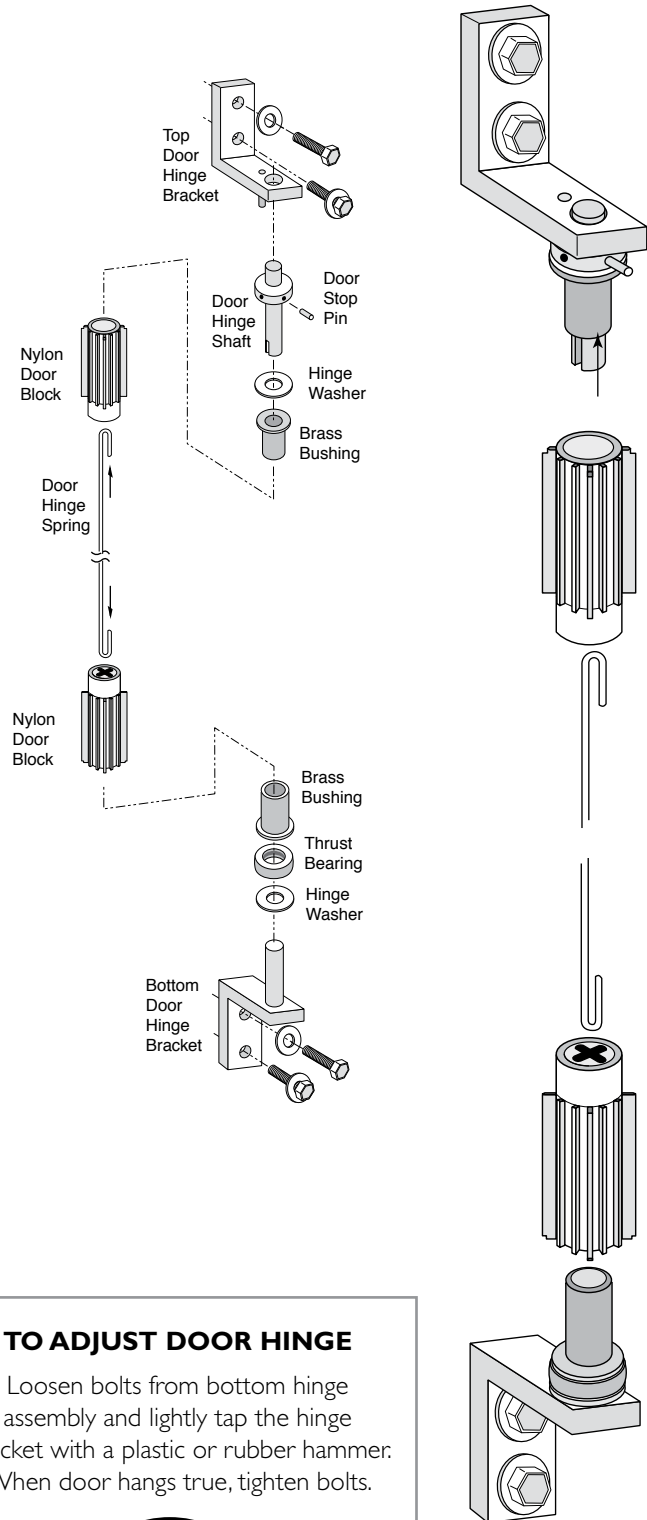
NOTE: The slot at the base of the hinge shaft must seat over the head of the door hinge spring.

STEP 2 - Insert the bottom hinge assembly (hinge bracket, hinge washer, thrust bearing) into the door block and brass bushing inside bottom frame. (Illustration 1).

STEP 3 - While holding bottom hinge in place lift door and slide top door hinge together. Maintain vertical pressure by resting door bottom on your knee while squatting, or have someone assist in order to re-attach lower hinge to cabinet. Fasten hinge with 3/8" bolts and washers.

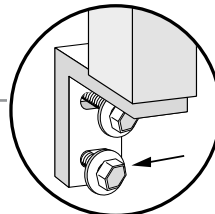
STEP 4 - For models with integrated door lighting or this is a freezer, be sure to plug in the wire harness.

STEP 5 - For right hinged doors adjust the spring by rotating the door hinge shaft to the left using two drift punches hole by hole to the desired tension (approximately one-half turn). Replace the stop pin in the door shaft (opposite procedure for left hinged doors).



TO ADJUST DOOR HINGE

Loosen bolts from bottom hinge assembly and lightly tap the hinge bracket with a plastic or rubber hammer. When door hangs true, tighten bolts.

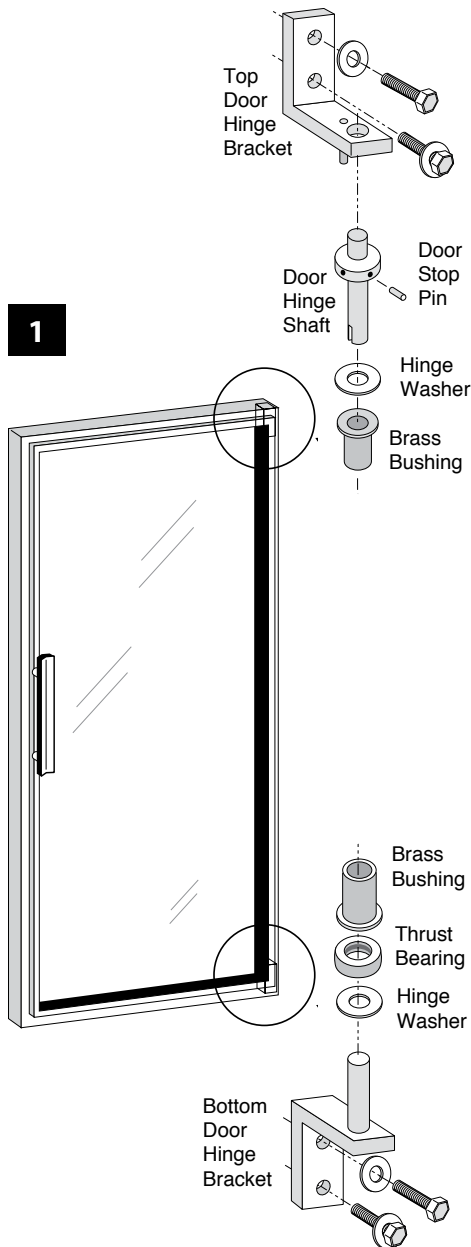


REMOVAL OF T-SERIES DOOR

INSTALLATION INSTRUCTIONS

Tools Required

- (2) - 1/8" Drift Punches (forged)
- Needle - Nose Pliers
- Phillips Head Screwdriver
- Slotted Screwdriver



STEP 1 - Turn the cooler off.

STEP 2 - Remove the four mounting screws from louvered grill and remove grill.

STEP 3 - For models with the integrated door light feature, unplug light from ballast box.

NOTE: Freezer doors have heater wires which must be unplugged before doors can be removed.

STEP 4 - Locate the top hinge assembly.

STEP 5 - Remove door stop pin by placing a drift punch into the stop pin hole two holes to the left (for right side door) of the stop pin position. With drill bit firmly anchored in position, apply back pressure to the left and remove the stop pin with a needle-nosed pliers. While firmly holding the drill bit with your left hand begin rotating the hinge shaft to the right relieving spring tension. Insert second drift punch into hole to the left and repeat process until all spring tension is relieved.

STEP 6 - In some instances it is necessary to relieve spring pressure on hole position at a time until spring pressure is relieved.

NOTE: Freezer doors have heater wires which must be unplugged before doors can be removed.

NOTE: If cabinet is equipped with integrated door light be sure to unplug from ballast box.

STEP 7 - In a squatted position, rest the bottom of the open door on your left knee (for right side door) as you face the outside of the door. Create an upward pressure and remove the two 3/8" bolts from the bottom hinge assembly. Remove the bottom hinge assembly. (Illustration 2)

NOTE: Operation is reversed for left side door.

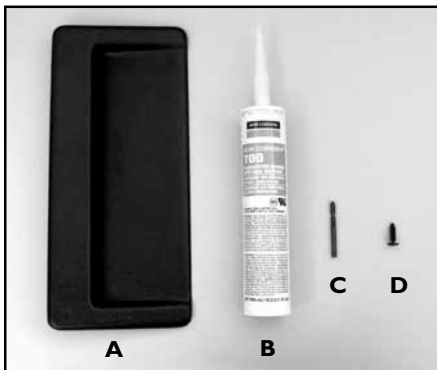


HANDLE REPLACEMENT FOR SOLID DOOR HANDLE

INSTALLATION INSTRUCTIONS

Tools Required

- Rubbing alcohol
- Caulk gun
- Masking tape
- Drill
- Rubber mallet



I-Handle Kit Includes (part #955235)

- A. (1) - Replacement door handle (954427)
- B. (1) - Tube of silicone (820560)
- C. (1) - 7/32" Drill bit (811311)
- D. (6) - Push pins (954428)

2-Handle Kit Includes (part #955264)

- A. (2) - Replacement door handles (954427)
- B. (1) - Tube of silicone (820560)
- C. (1) - 7/32" Drill bit (811311)
- D. (12) - Push pins (954428)

3-Handle Kit Includes (part #955265)

- A. (3) - Replacement door handles (954427)
- B. (1) - Tube of silicone (820560)
- C. (1) - 7/32" Drill bit (811311)
- D. (18) - Push pins (954428)

REPLACEMENT HANDLES CAN BE USED FOR BOTH HORIZONTAL OR VERTICAL HANDLES.

STEP 1 - Thoroughly clean the damaged handle and area with rubbing alcohol (isopropyl alcohol).

STEP 2 - Apply a bead of the provided silicone to the backside edge of the replacement handle as shown in Image 1.

STEP 3 - Make sure that the handle and area are clean and completely dry. Place the replacement handle over the top of the existing handle, pushing it securely towards the pull side of the existing handle. See Image 2. Use masking tape to hold the handle in place.

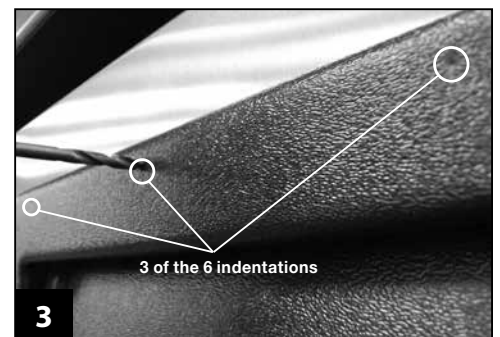
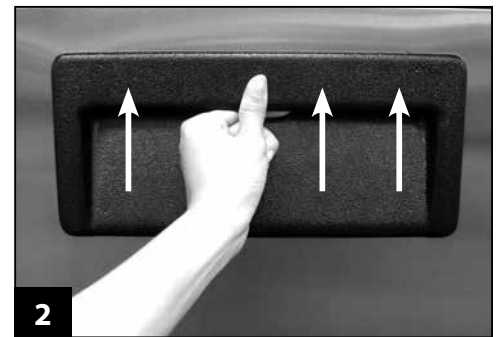
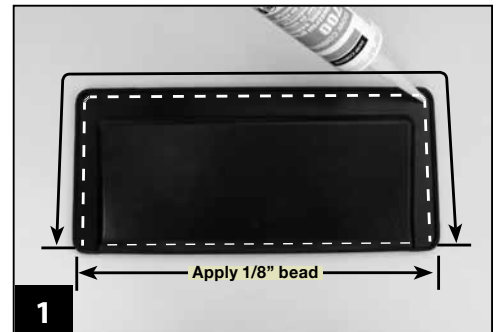
STEP 4 - Drill a hole through the six (6) indentations on each replacement handle one at a time. Lightly tap the push pins in place with a rubber mallet if needed.

WARNING:

Holes and push pins must be drilled and installed one at a time. If multiple holes are drilled at one time, all push pins may not line up properly.

STEP 5 - Remove tape. See Image 4.

STEP 6 - Fill any gaps between the new handle and the door with silicone.



NOTES
