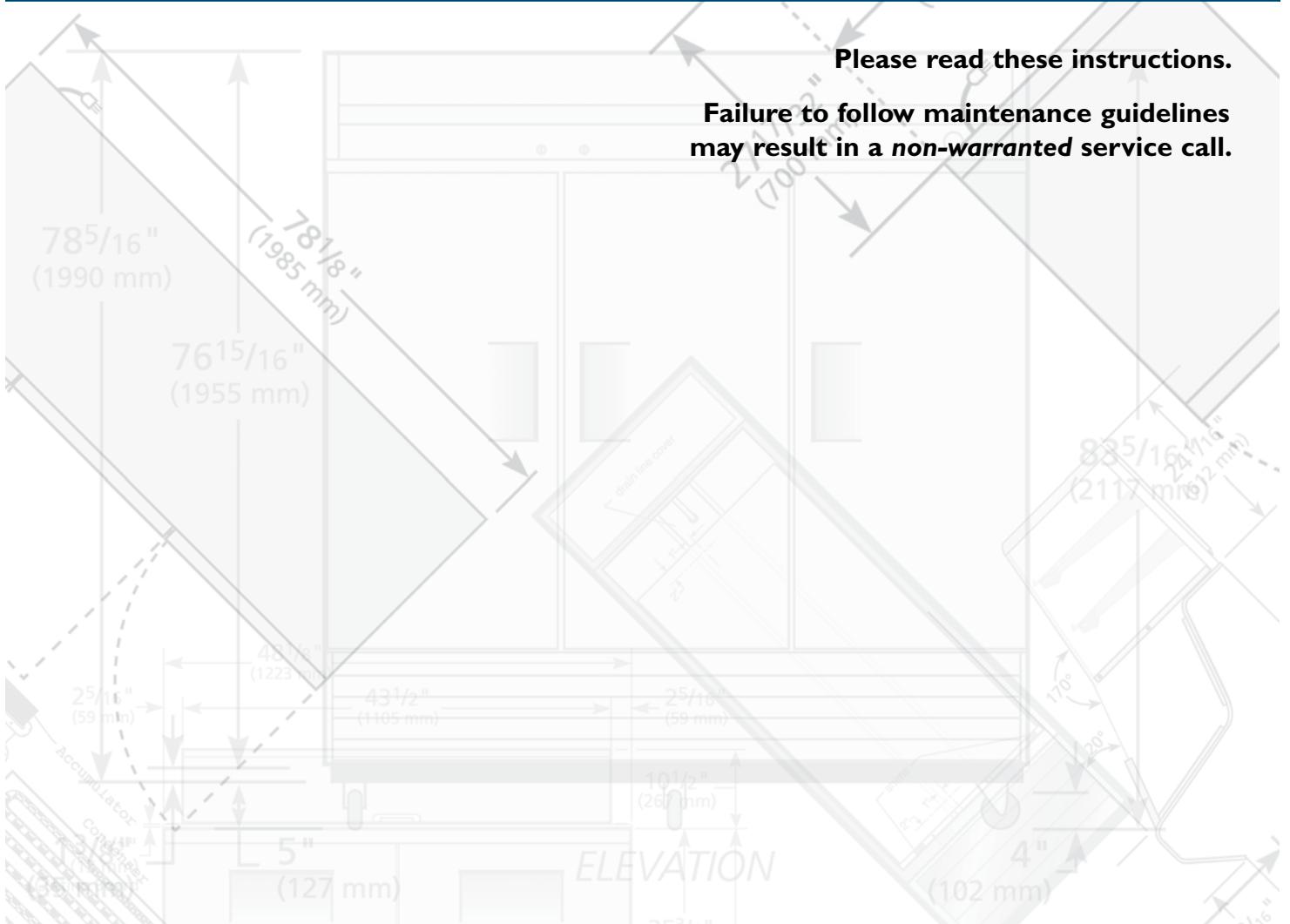


# CABINET INSTALLATION AND SET-UP



---

---

# NOTES

---

---

# CABINET INSTALLATION AND SET-UP



Installation / Leveling

## CABINET INSTALLATION AND SET UP CHECKLIST

1. Make sure cabinet is plugged into dedicated outlet. Before plugging in cabinet check to make sure voltage is adequate for your cabinet.  
**Do not use an extension cord, this will void cabinet warranty.**
2. Follow installation instructions for your specific cabinet. Each cabinet is shipped with specific installation and set up instructions. It is very important to read all information sent with your new cabinet.
3. Make sure shipping blocks (slide doors) and door support brackets (swing doors) are removed. Doors will not function correctly if this step is not followed.
4. Make sure that your cabinet is leveled correctly. Follow specific instructions with your cabinet and use castor shims were they are needed. Make sure that legs and castors are installed per instructions. If directions are not followed this may cause premature unwarranted failure of cabinet legs or castors. If your cabinet is not level this can cause performance problems that will not be covered as warranty repairs.
5. When cabinet is set in its final location, make sure the specific clearance guidelines are followed. These are very important for ventilation in the condensing unit area. If not followed can cause premature compressor failure.
6. Follow altitude adjustment for temperature control if applicable.

**IF YOU HAVE ANY QUESTIONS ABOUT SET UP OR INSTALLATION OF YOUR NEW CABINET  
PLEASE CALL OUR TECHNICAL SERVICE DEPARTMENT AT 1-800-325-6152.**

# CABINET INSTALLATION AND SET UP (SWING & SLIDE DOORS)

## INSTALLATION INSTRUCTIONS

### SWING DOORS

A. Remove all other tape securing the doors to the cooler. Remove the blue foam blocks approximately 1"x3"x1" (2.5 x 7.6 x 2.5 cm) that are between the door and the cooler. One foam block is located on each side of the door frame. (left and right).

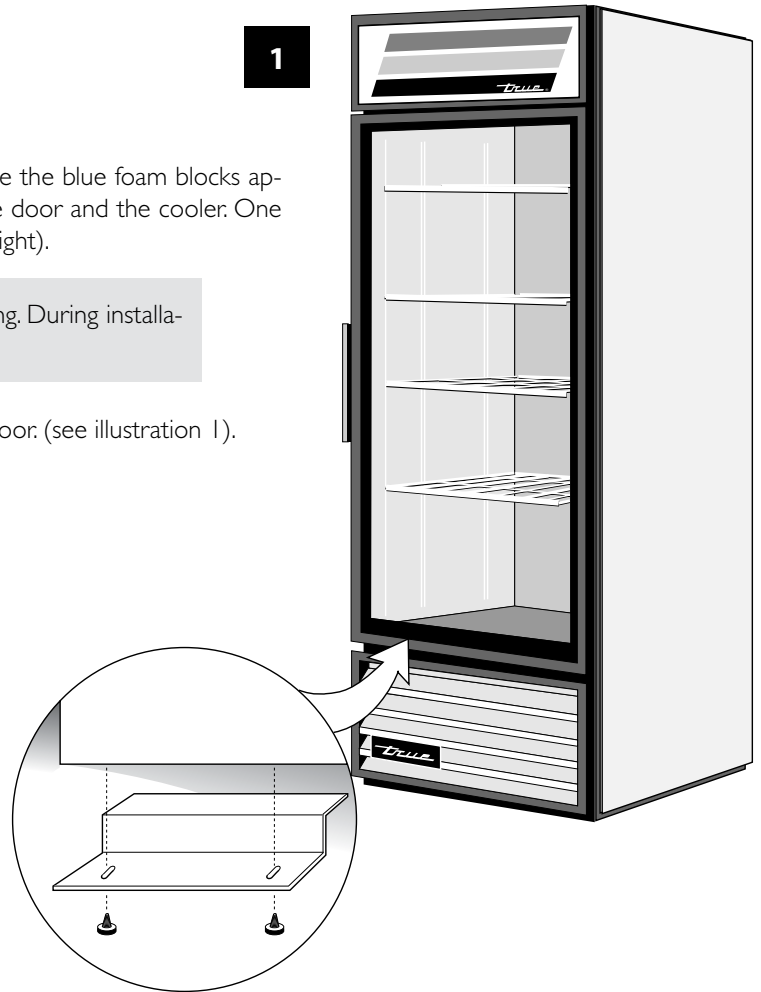
**NOTE:** Your True Merchandiser has been secured for safe shipping. During installation, it is necessary to remove the door support bracket.

B. Remove the two Phillips screws that secure the bracket to the door. (see illustration 1).

C. Remove bracket and save for future shipping.

D. Replace screws securely into door.

1



### SLIDE DOORS

A. Remove all transparent tape on the door area. Remove the foam blocks in top channel in front on the right door approximately 1"x1"x20" (2.5 x 2.5 x 50 cm).

B. Remove both plastic brackets secured by tape from under the left door.

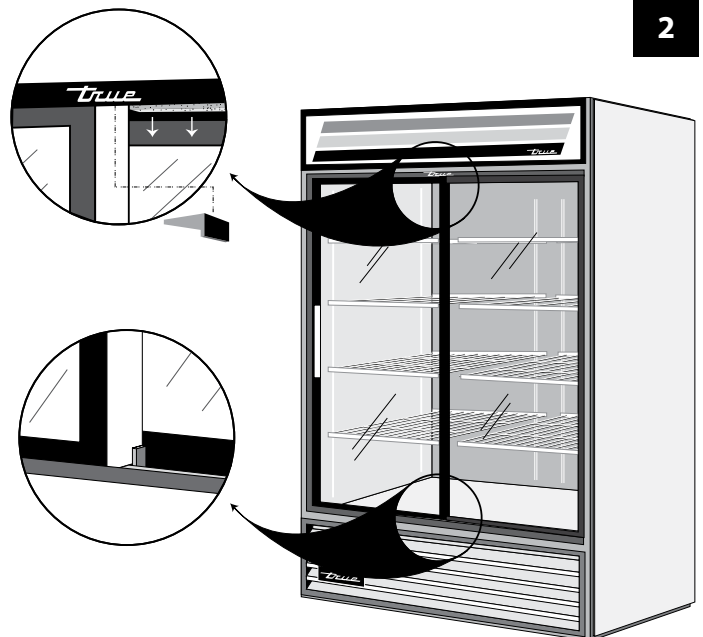
C. Open the left door.

D. Remove the foam block from the top channel behind the left door.

E. Remove both plastic brackets from under the right door (see illustration 2).

**NOTE:** Door packing materials should NOT be removed until cooler is placed on location.

2



TRANSPORTATION OF THE CABINETS WITHOUT THE DOOR PACKING MATERIALS IN PLACE CAN RESULT IN DAMAGE TO DOORS, DOOR ROLLERS AND V-TRACK.

## GDM / T-SERIES FREEZERS

### INSTALLATION INSTRUCTIONS

#### Installing Castors

Install castors in the bottom rail assembly on the underside of the cooler. Castors with brakes should be installed in front. To obtain maximum strength and stability of the unit, it is important that you make sure each castor is secured with a 3/4" (19mm) open-end wrench. The bearing race on the castor must make firm contact with the rail.

#### Installing Leg Levelers

Screw leg levelers into the four corners of the lower rail assembly (larger models include levelers centered front and back also).

#### Leveling

- A. Set unit in its final location. Be sure there is adequate ventilation in your room. Under extreme heat conditions, (100°F+, 38°C+), you may want to install an exhaust fan.
- B. Proper leveling of your True cabinet is critical to operating success. Effective condensate removal and door operation will be effected by leveling.
- C. The cabinet should be leveled front to back and side to side with a level (see illustration 3). Place the level in the interior floor of the unit in the four positions illustrated.

#### For Castored Models:

Four shims have been provided in warranty packet for leveling castored units positioned on uneven floors. Shims must be positioned between rail end and bearing race. (see illustration 4).

If the cabinet is not level use a 3/4" (19mm) open-end wrench to turn the anchoring bolt under the bearing race counter-clockwise until the cabinet is level.

Install the desired number of shims, making sure the slot of the shim is in contact with the threaded stem of the castor.

If more than one shim is used, turn the slot at a 90° angle so they are not in line.

Turn the anchoring bolt clockwise with a 3/4" (19mm) open-end wrench to tighten and secure the castor.

#### Leg Levelers For GDM Models:

If the cabinet is not level adjust leg levelers by first relieving weight to leveler and adjusting by either hand or wrench. Repeat with all leg levelers until cabinet is level in all directions.

D. Ensure that the drain hose or hoses are positioned in the pan.

E. Free plug and cord from inside the lower rear of the cooler (do not plug in).

F. The unit should be placed close enough to the electrical supply so that extension cords are never used.

#### CAUTION:

To avoid damage to lower rail assembly, raise unit slowly and carefully to upright position.

#### WARNING!

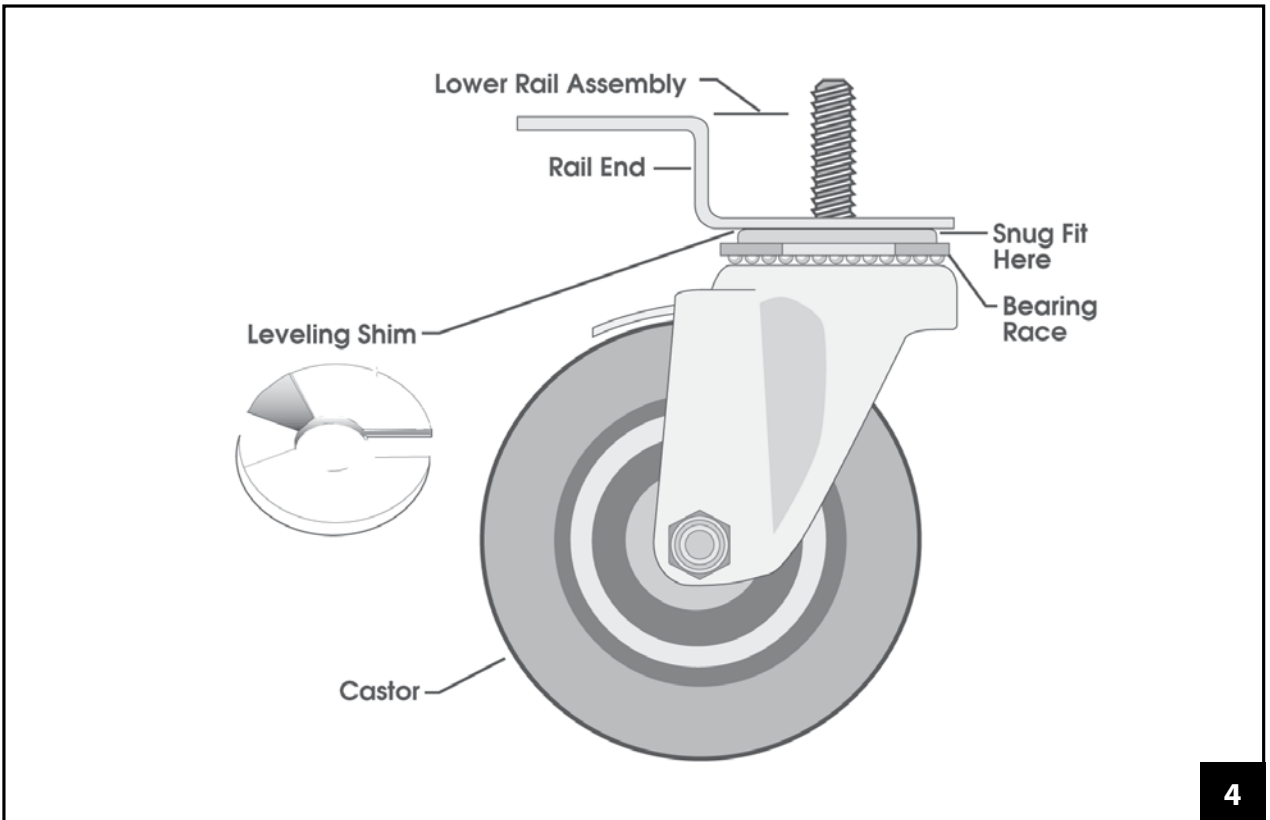
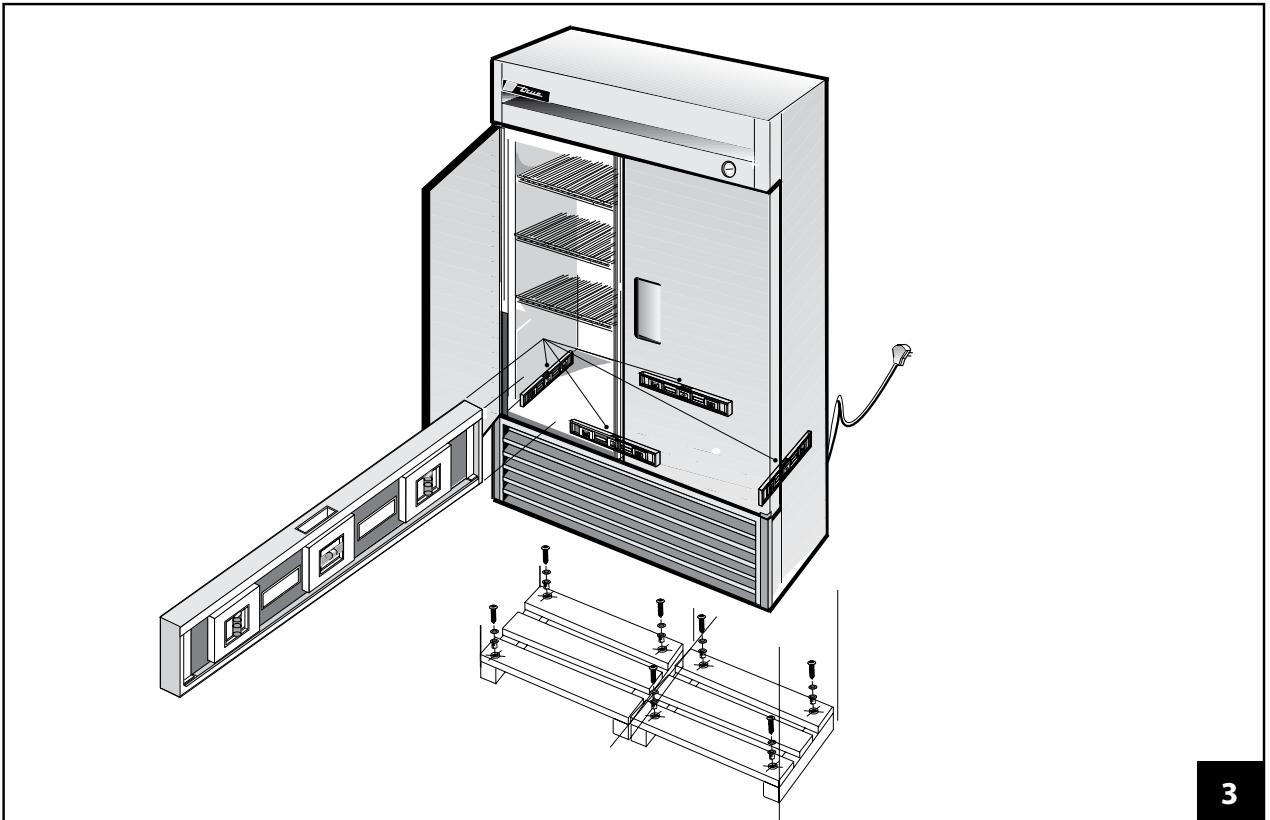
Warranty is void if ventilation is insufficient.

#### IMPORTANT:

Make certain the metal strap holding the compressor during shipment is removed. Failure to cut strap could result in excessive noise and vibration (freezer).

#### WARNING!

Compressor warranties are void if the unit is more than 6 1/2 ft. (2m) from plug-in connection.



---

---

# NOTES

---

---